

# DISTRIBUTEUR E.M AUTO-CUT AUTOMATIQUE BLANC

Réf : 9/104



## SIMPLE TO USE

No adjustments needed

## UNIVERSAL

Dispenses any paper quality including 100% recycled paper

## RELIABLE

Quick paper delivery

Consistently dispenses 10" length towel

Industry leading battery life

## COMPACT

Up to 25% smaller than other leading electronic dispensers

**Installation:** Wall mounted

**Closure:** With lock

**Color:** Transparent Black Pearl (TBK)

Transparent Arctic Blue (TBL)

Opaque White with viewing window (WH)

## Dimensions:

36.5 cm (L) x 29.9 cm (W) x 23.2 cm (D)

## Capacity:

(1) 20cm wide roll; 20cm diameter

**Core Diameter:** 3.8cm

**Case Weight:** 1.9 kgs

## Materials:

Base: break resistant plastic

Cover: break resistant plastic

## Standard Product Codes:

T8000TBK/TBL/WH, T8090TBK/TBL

## Batteries Required:

Uses 4 D-Cell Alkaline Batteries

## Features Also Available: (please call customer care)

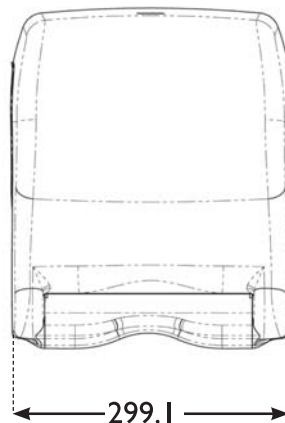
Replaceable Covers

Replacement Keys and Lock Fingers

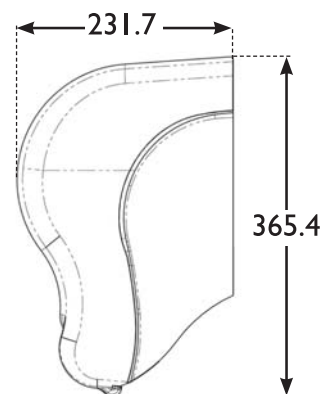
2" hub adapters (2) - X100960

Mercury Free "Green" D-Cell Batteries (4 pk): XT100886

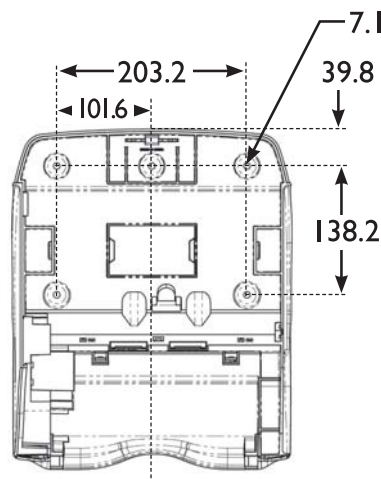
## FRONT (mm)



## SIDE (mm)



## BACK (mm)



**D.P.C.**

\*\*\*\*\*  
DISTRIBUTION DE PRODUITS  
ET CONSOMMABLES

03 44 22 35 33 contact@dpc-idf.com www.dpc-idf.com 34 rue du Moulin - 60110 Lormaison

Tous droits réservés - Photo(s) non contractuelles(s)

Dans une optique d'amélioration continue, DPC se réserve le droit de modifier, à tout moment et librement les présentes caractéristiques.